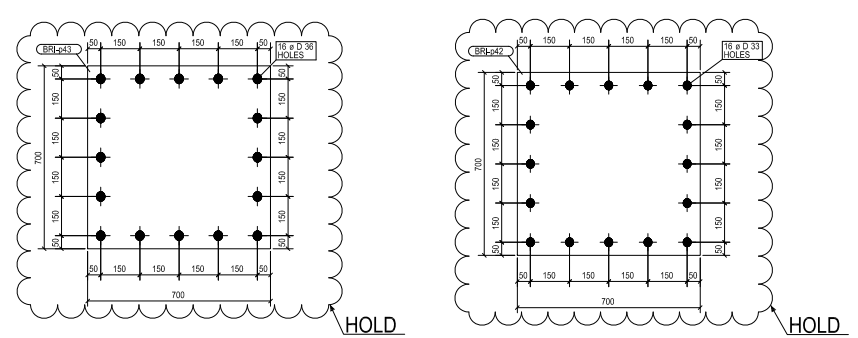
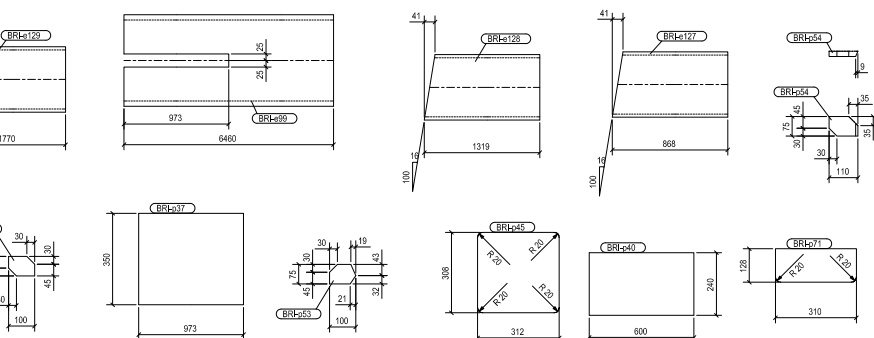
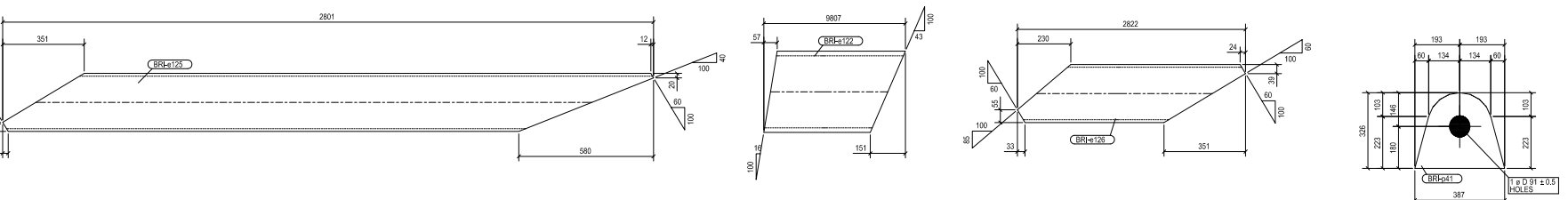
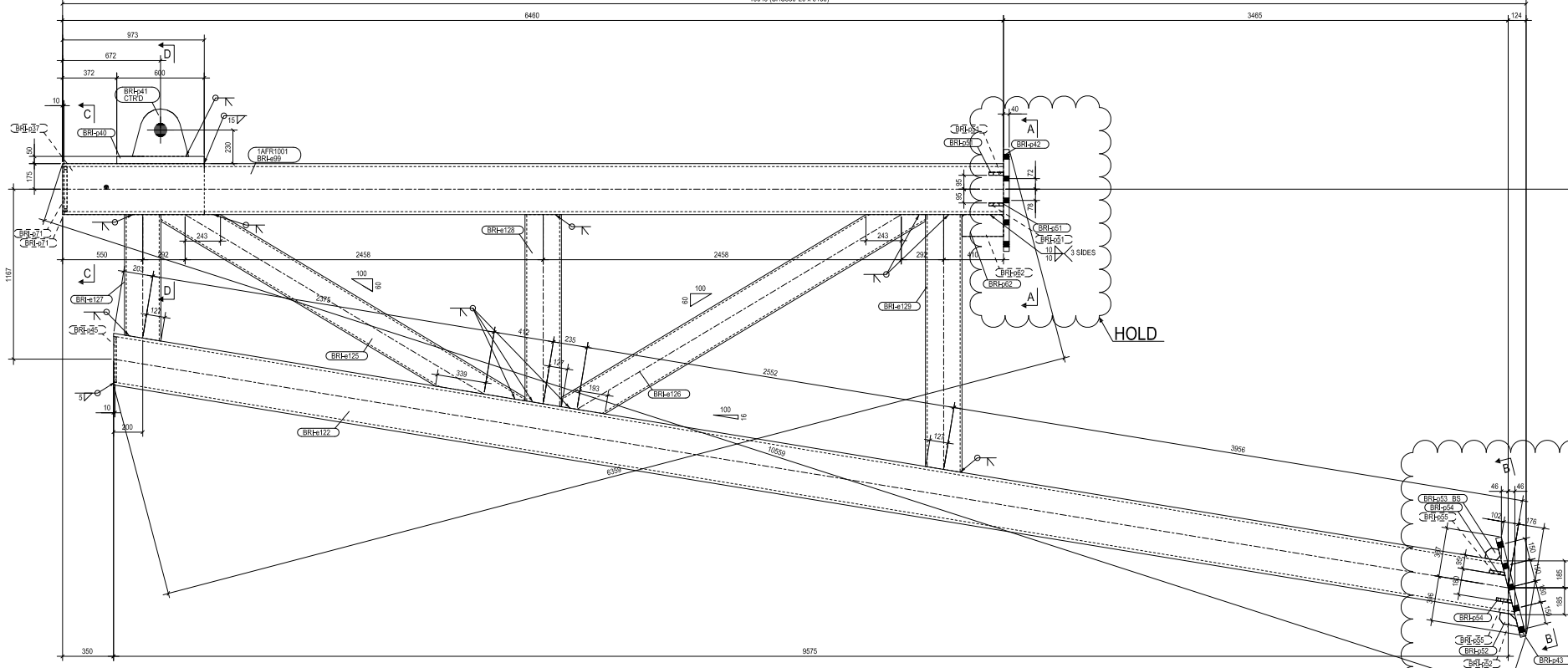


GRID LOCATION
1AFR1001 D>/3>

30049

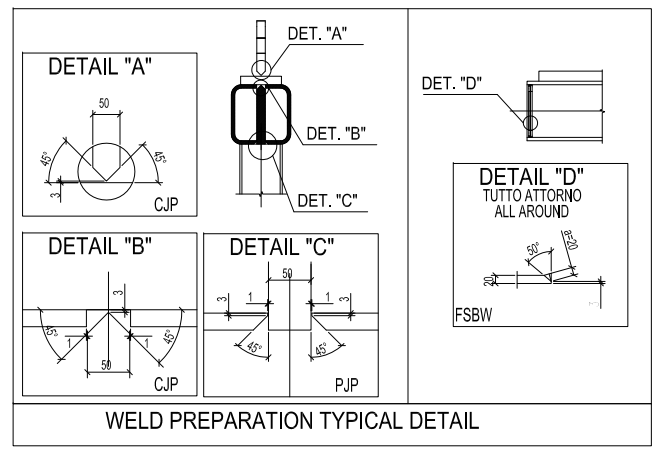
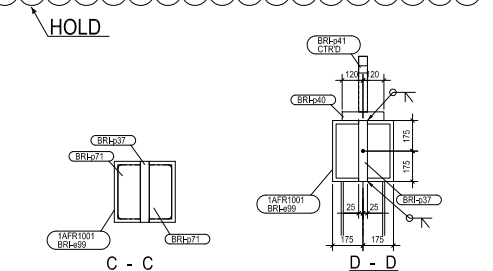
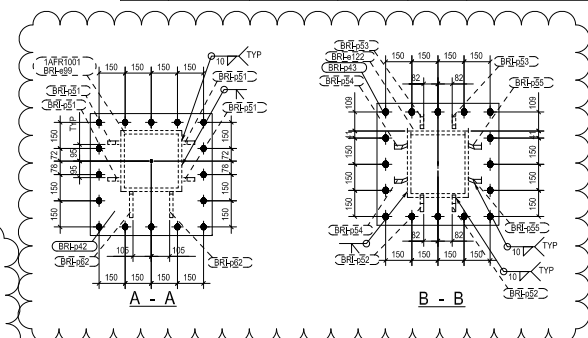


BILL OF MATERIAL

No.	SPECIFICATION	LENGTH (mm)	GRADE	QUANTITY	WEIGHT(Kg)		REMARKS
					UNIT	TOTAL	
1AFR1001 1 PCS. IN TOTAL							
BRI-099	SHS350*20	6460	S355J0	1	1323.49	1323.49	
BRI-122	SHS350*20	9807	S355J0	1	2010.82	2010.82	
BRI-125	SHS250*250*12.0	2801	S355J0	1	211.68	211.68	
BRI-126	SHS250*250*12.0	2822	S355J0	1	228.59	228.59	
BRI-127	SHS250*250*12.0	868	S355J0	1	76.02	76.02	
BRI-128	SHS250*250*12.0	1319	S355J0	1	116.45	116.45	
BRI-129	SHS250*250*12.0	1770	S355J0	1	156.88	156.88	
BRI-037	FL750*350	973	S355J0	1	133.67	133.67	
BRI-040	FL750*600	240	S355J0/235	1	56.52	56.52	
BRI-041	FL750*326	387	S355J0	1	36.46	36.46	
BRI-042	FL750*700	700	S355J0	1	153.86	153.86	
BRI-043	FL750*700	700	S355J0	1	153.86	153.86	
BRI-045	PL110*308	312	S355J0	1	7.52	7.52	
BRI-051	FL20*75	100	S355J0	4	1.04	4.14	
BRI-052	FL20*75	132	S355J0	2	1.21	2.42	
BRI-053	FL20*75	100	S355J0	2	0.99	1.98	
BRI-054	FL20*75	110	S355J0	2	1.10	2.21	
BRI-055	FL20*75	110	S355J0	2	1.10	2.21	
BRI-062	FL20*150	285	S355J0	2	6.68	13.35	
BRI-071	PL20*128	310	S355J0	2	6.20	12.40	
TOTAL WEIGHT:					4704.5	*1 = 4704.54	Kg

BOLT LIST FOR ASSEMBLY-1AFR1001 1 PIECE

DIA	GRADE	TYPE	LENGTH	NOS.	MEMBER



PAINT NOTE:-
 PRIMER - PENGAURD EXPRESS ZP GREY @ 75 MICRONS
 MID COAT - PENGAURD EXPRESS MIO GREY @ 175 MICRONS
 TOP COAT - HARDTOP XP @ 50 MICRONS
 RAL 7047

NOTE :-
 DENOTES MARK TOP & POSITION FOR HARD PUNCH

KEY PLAN

NOTES:-
 1. ALL DIMENSIONS ARE IN MILLIMETERS UNLESS STATED OTHERWISE.
 2. WELDING DETAILS SYMBOLS ACCORDING TO AWS-D1.5.
 3. STEELWORKS MATERIAL S355J0 IN ACCORDANCE TO BS EN

SPECIAL NOTES:-
 1). EXTEND PROFILE LENGTH BY 100mm IN ENDPLATE SIDE @ TOP & BOTTOM CHORD TO SUIT ASBUILT SITE CONDITION.
 2). FOR PENETRATION WELD PREPARATION TYPICAL DETAIL REFER DRAWING NO : 1013-2C-ARS-DWG-SS-BRI-15072 TO 15075.

1 NO(S) FRAME REQUIRED AS DRAWN MK'D 1AFR1001

REV.	DESCRIPTION	DATE	DRAWN	CHKD	APRD
CLIENT :					
CONSULTANT :					
PROJECT :					
CONTRACTOR :					
SUB-CONTRACTOR :					
DRAWING TITLE :					
DATE :	SCALE :	SHEET NO		REVISION	
DRAWN :	CHECKED :	A 0			
DRAWING NO.		SHEET NO		REVISION	
		01 OF 01		00	