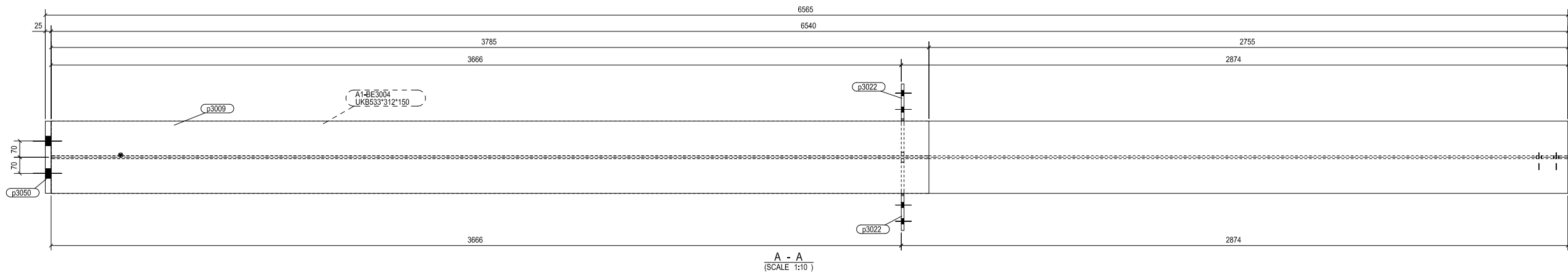
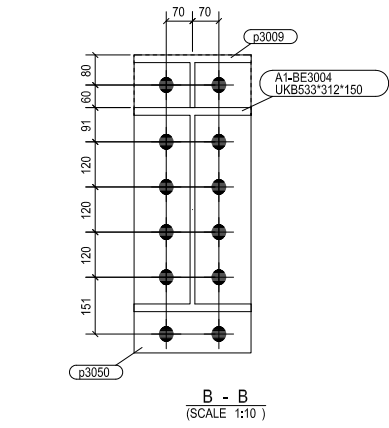
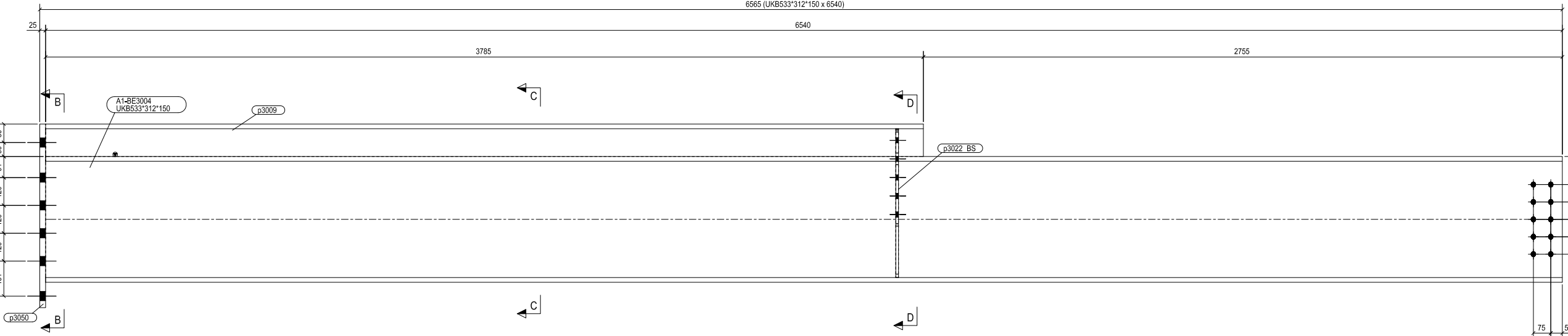


GRID LOCATION	
A1-BE3004	Y26/X21-X22
A1-BE3004	Y27/X21-X22
A1-BE3004	Y28/X21-X22

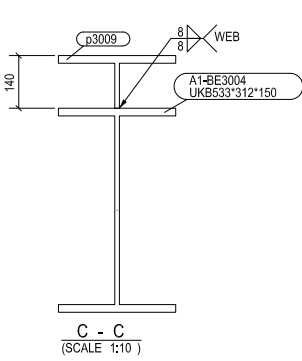
BILL OF MATERIAL							
No.	SPECIFICATION	LENGTH (mm)	GRADE	QUANTITY	WEIGHT(Kg)		REMARKS
					UNIT	TOTAL	
A1-BE3004SB5 3 PCS. IN TOTAL							
p3007	UKB533*312*150	6540	S355	1	985.69	985.69	
p3009	UKB533*312*150	3785	S355	1	570.45	570.45	
p3022	PLT12*309.7	642	S355JR	2	18.72	37.44	
p3050	PLT25*311	792	S355JR	1	48.34	48.34	
TOTAL WEIGHT:					1641.92	*3 =	4925.75 Kg
BOLT LIST FOR ASSEMBLY-A1-BE3004						3 PIECE	
DIA	GRADE	TYPE	LENGTH	NOS.	MEMBER		
20	8.8XOX	Site	80	10	A1-BE3001		
36	8.8XOX	Site	100	12	A1-CL3001		



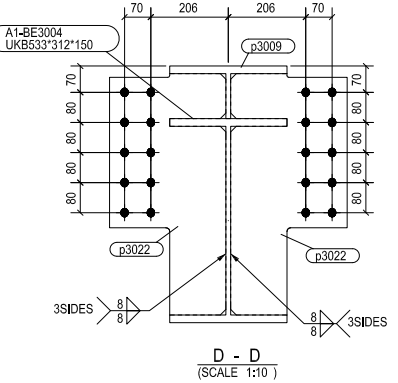
A - A
(SCALE 1:10)



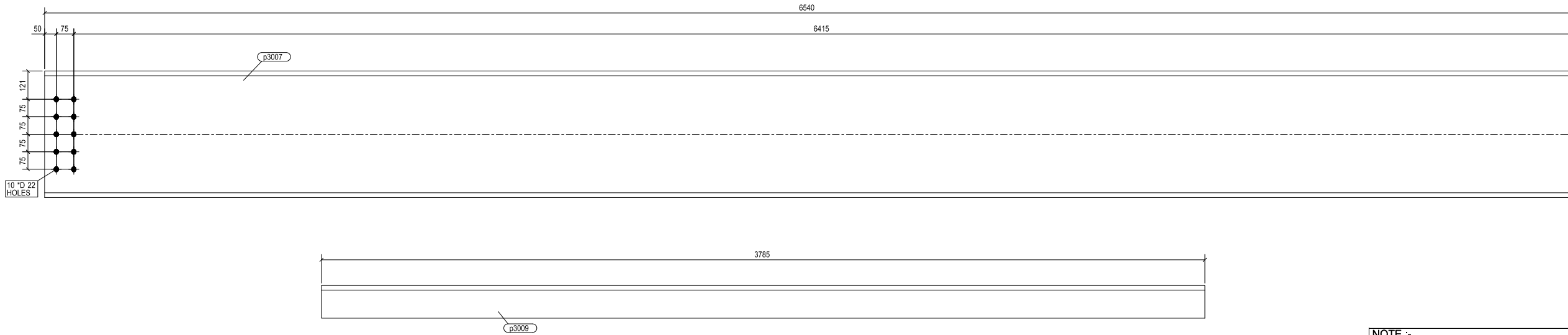
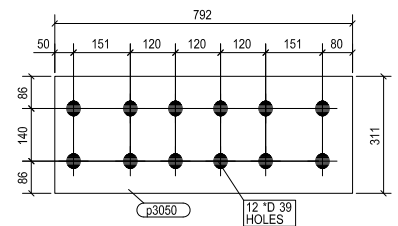
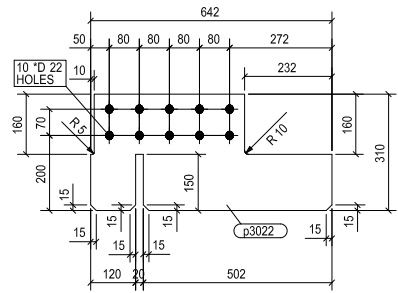
B - B
(SCALE 1:10)




C - C
(SCALE 1:10)



D - D
(SCALE 1:10)



NOTE :-
 DENOTES MARK TOP & POSITION FOR HARD PUNCH
 3 NO BEAM Marked A1-BE3004

REV	DATE	DESCRIPTION	DRAWN	CHKD	APPD
PROJECT NAME					
CLIENT					
CONTRACTOR					
SUB-CONTRACTOR					
DRAWING TITLE					
MAIN STRUCTURE FABRICATION DETAIL OF BEAM-A1-BE3004					
SHEET SIZE	SCALE	JOB No.	DRG No.	SHEET NO.	REV
841x594	1:10	-	A1-BE3004	SHEET01 OF 01	0